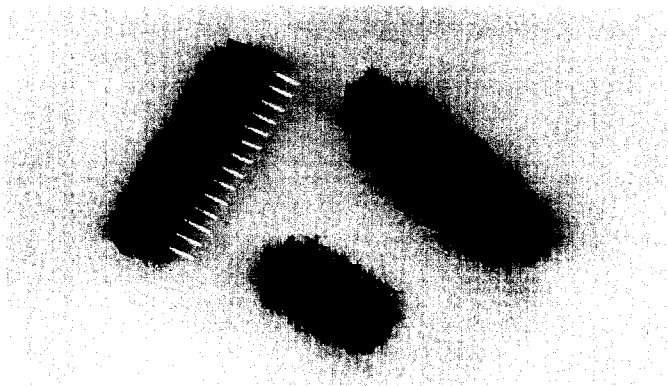


.100" (2.54 mm) Dip Solder Connector



1000 Series Vertical Mount

A low cost approach to packaging for light or dense packaged P.C. Board applications. Mates with 1100 series headers or .025 sq. pins staked into P.C. boards.

Housing Material: Nylon 94V-0

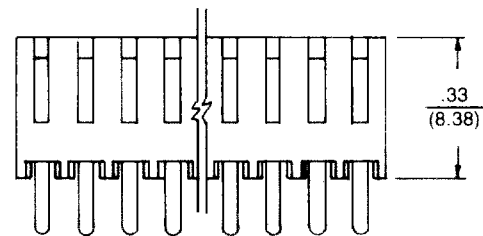
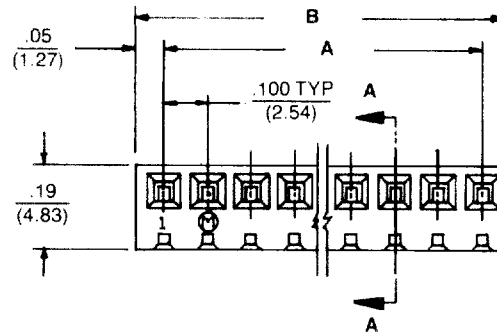
Contacts: Plated brass
Phosphor bronze available

ALL DIMENSIONS ARE IN INCHES
DIMENSIONS IN () ARE IN MILLIMETERS

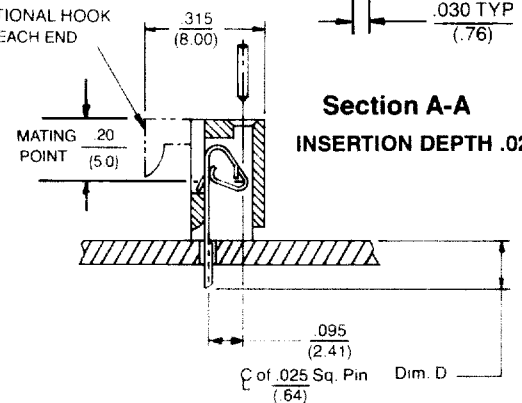
PART NUMBER CODING

100X - XXX - 2XXX

- CONTACT TAIL**
01 = D. DIM .12 (3.05)
- CONTACT MATERIAL**
1 = BRASS
0 = PHOSPHOR BRONZE
- NO. OF POSITIONS**
- INSULATOR STYLE**
0 = NO HOOK
1 = WITH HOOK
- PLATING CODE**
0 = TIN
8 = .000015 SELECTIVE GOLD
F = .000030 SELECTIVE GOLD
- CONNECTOR SERIES**

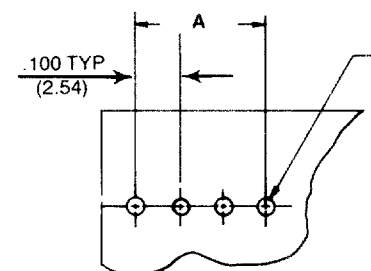


OPTIONAL HOOK ON EACH END



Part Number	No. of Pos.	Dim. A.		Dim. B.	
		Inch	MM	Inch ± .010	MM ± .254
100X-X02-21XX	2	.100	2.54	.20	5.08
100X-X03-21XX	3	.200	5.08	.30	7.62
100X-X04-21XX	4	.300	7.62	.40	10.16
100X-X05-21XX	5	.400	10.16	.50	12.70
100X-X06-21XX	6	.500	12.70	.60	15.24
100X-X07-21XX	7	.600	15.24	.70	17.78
100X-X08-21XX	8	.700	17.78	.80	20.32
100X-X09-21XX	9	.800	20.32	.90	22.86
100X-X10-21XX	10	.900	22.86	1.00	25.40
100X-X11-21XX	11	1.000	25.40	1.10	27.94
100X-X12-21XX	12	1.100	27.94	1.20	30.48
100X-X13-21XX	13	1.200	30.48	1.30	33.02
100X-X14-21XX	14	1.300	33.04	1.40	35.56
100X-X15-21XX	15	1.400	35.56	1.50	38.10
100X-X16-21XX	16	1.500	38.10	1.60	40.64
100X-X17-21XX	17	1.600	40.64	1.70	43.18
100X-X18-21XX	18	1.700	43.18	1.80	45.72
100X-X19-21XX	19	1.800	45.72	1.90	48.26
100X-X20-21XX	20	1.900	48.26	2.00	50.80
100X-X21-21XX	21	2.000	50.80	2.10	53.34
100X-X22-21XX	22	2.100	53.34	2.20	55.88
100X-X23-21XX	23	2.200	55.88	2.30	58.42
100X-X24-21XX	24	2.300	58.42	2.40	60.96
100X-X25-21XX	25	2.400	60.96	2.50	63.50
100X-X26-21XX	26	2.500	63.50	2.60	66.04
100X-X27-21XX	27	2.600	66.04	2.70	68.58
100X-X28-21XX	28	2.700	68.58	2.80	71.12

ALL DIMENSIONS ARE IN INCHES
DIMENSIONS IN () ARE IN MILLIMETERS



RECOMMENDED P.C. BOARD LAYOUT